

## Two-Way Linear Actuator Connectors

for Two-Axis System, Aluminum,  
Unequal Bore Dimensions  $d_1 / d_2$

### SPECIFICATION

#### Identification no.

No. 2: With 2 stainless steel socket cap screws DIN 912

Aluminum

Powder coated

Black, RAL 9005, textured finish **SW**

Sleeve bearing

Plastic (PTFE)

Socket cap screws DIN 912

Stainless steel AISI 304

Hex nuts DIN 985

Stainless steel AISI 304

Self-locking via polyamide ring



### INFORMATION

Two-way linear actuator connectors GN 133.2 are based on two-way connector clamps. The additionally provided mounting holes are used to connect to the drive key of a linear actuator. Bore with the designation **G** are equipped with sleeve bearings.

With the screw locations  $z_1 / z_2$ , the play of the guide bores  $d_1 / d_2$  can be adjusted or the linear actuator connectors can be clamped after adjustment.

For quick clamping without tools, the socket cap screws can be replaced by the adjustable hand levers GN 911 (see page 1874) listed in the table as accessories.

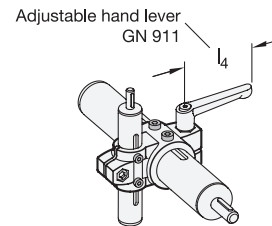
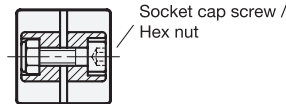
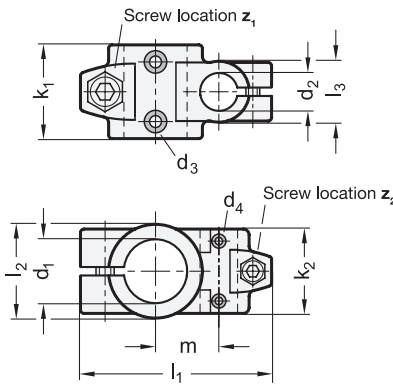
### ACCESSORY

- Adjustable Hand Levers GN 911 (see page 1874)

### TECHNICAL INFORMATION

- Plastic Characteristics (see page A2)

- Stainless Steel Characteristics (see page A26)



### GN 133.2-Without sleeve bearing

Description	$d_1 - d_2$ without sleeve bearing	$d_3$ Mounting screws on the drive key	$d_4$ Mounting screws on the drive key	$k_1$ Clamping length	$k_2$ Clamping length	$l_1$	$l_2$	$l_3$	$m$	$z_1$ Screw location	$z_2$ Screw location	Accessory Recom. hand lever GN 911 for $z_1$ $l_4$	Accessory Recom. hand lever GN 911 for $z_2$ $l_4$	⚖
GN 133.2-B30-B18-2-SW	B30 - B18	M 4	M 3	40	36	81.5	40	26	27	M8-25	M6-20	63   78	45   63	133
GN 133.2-B50-B30-2-SW	B50 - B30	M 6	M 4	65	59	122	65	40	45	M10-50	M8-25	78   92	63   78	450

### GN 133.2-With sleeve bearing

Description	$d_1 - d_2$ with sleeve bearing	$d_3$ Mounting screws on the drive key	$d_4$ Mounting screws on the drive key	$k_1$ Clamping length	$k_2$ Clamping length	$l_1$	$l_2$	$l_3$	$m$	$z_1$ Screw location	$z_2$ Screw location	Accessory Recom. hand lever GN 911 for $z_1$ $l_4$	Accessory Recom. hand lever GN 911 for $z_2$ $l_4$	⚖
GN 133.2-G30-G18-2-SW	G30 - G18	M 4	M 3	40	36	81.5	40	26	27	M8-25	M6-20	63   78	45   63	133
GN 133.2-G50-G30-2-SW	G50 - G30	M 6	M 4	65	59	122	65	40	45	M10-50	M8-25	78   92	63   78	450